



DIGISIGN

## ▶ 65SM5B

65" class (64.5"/1,638mm diagonal)

## ▶ 55SM5B

55" class (54.6"/1,387mm diagonal)

## ▶ 49SM5B

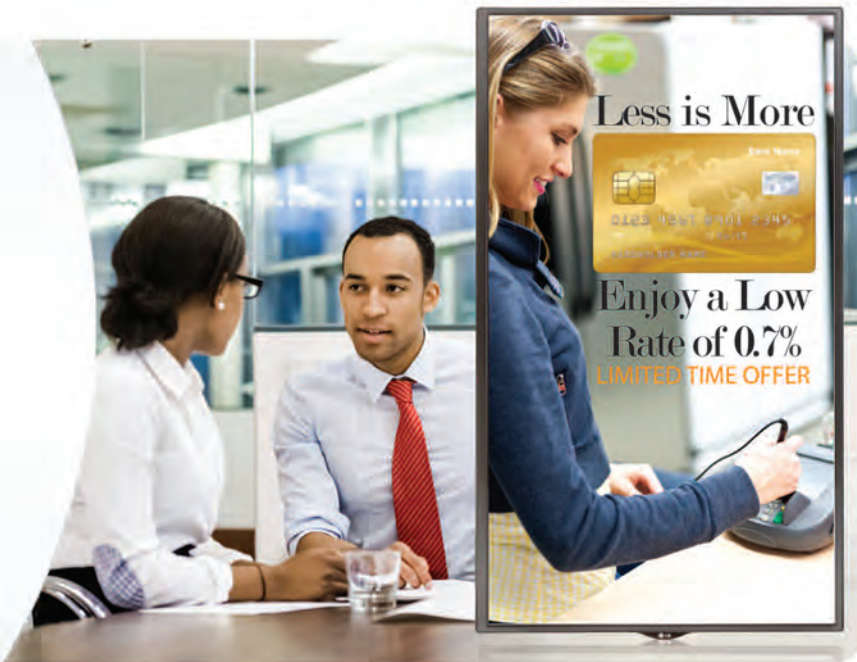
49" class (48.5"/1,232mm diagonal)

## ▶ 43SM5B

43" class (42.5" /1,079.5mm diagonal)

## ▶ 32SM5B

32" class (31.5"/800mm diagonal)



The SM5B Series with webOS signage, allows for customized apps that are easy to create using LG's Software Development Kit. The built-in Wi-Fi and SoC reduces total cost of ownership, simplifies installation, and managing content is easy and convenient.

### KEY FEATURES



#### QUAD CORE SOC (SYSTEM-ON-CHIP)

The High Performance SoC can execute several tasks at the same time and provides smooth content playback

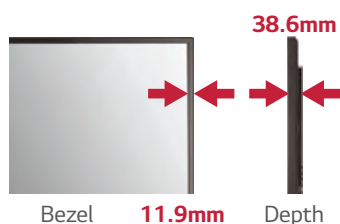


**webOS** LG's webOS enabled displays feature an all-in-one hardware and software platform that allows software developers to install and run their software in a more simplified solution. This approach offers architecture that enables easy-to-build web-based apps across multiple platforms. This approach offers software architecture, including iOS®, Android® and Windows®. Using LG's SDK, integrators can construct their own ideal customized signage solution for their clients.



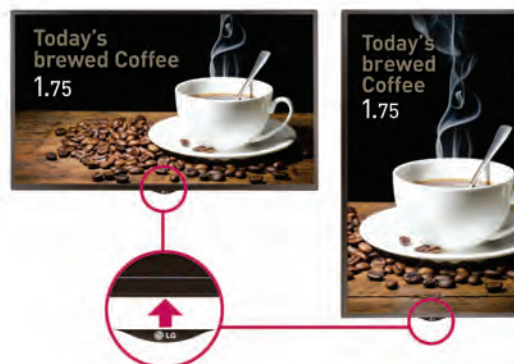
#### SLIM DESIGN | NARROW BEZEL

LG's monitors featuring a Direct-LED Backlight, have a stylishly slim design that fit perfectly into narrow spaces while ensuring high energy efficiency. The slim bezels are a perfect fit in confined areas and are easy to install.



#### DETACHABLE LOGO

The detachable logo can be removed and repositioned to the desired setting. Perfect when using in Portrait Mode.



## DIGITAL SIGNAGE MANAGEMENT ESSENTIALS



Run messages on up to 50 display screens in the form of a billboard without any additional hardware. Advertisements, information and broadcast content can be arranged on the same screen to attract attention and deliver specific messaging to your customer base.

### LG SuperSign Lite Usage Example

Different layout and designs available.

Put your own content and message here

Display player's name, server IP setting, server IP status and video here

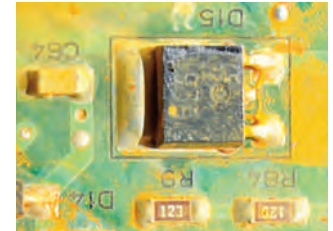


### CONFORMAL COATING

Conformal coating helps protect against water, dust and iron powder deposits which accumulate in harsh environments, saving on expensive installation and added enclosure costs.



With Conformal Coating



Without Conformal Coating

### BEACON CONVENIENT SUPPORT

With BEACON and Bluetooth Low Energy (BLE) supported by SM5B, retail stores can provide coupons and information in real-time.



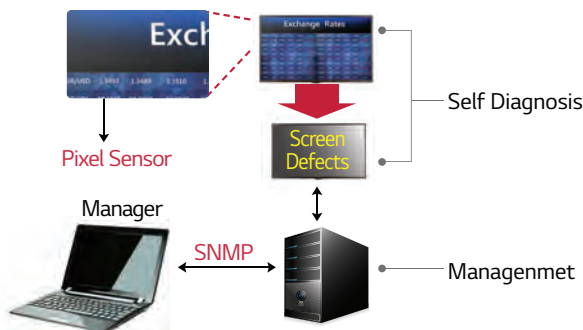
### OPS (OPEN PLUGGABLE SPECIFICATION) KIT / HDBASET BOX

The SM5B provides an OPS Kit to connect a third-party OPS player or HDBaseT box. Users have the flexibility to choose any media player as long as it complies with OPS.



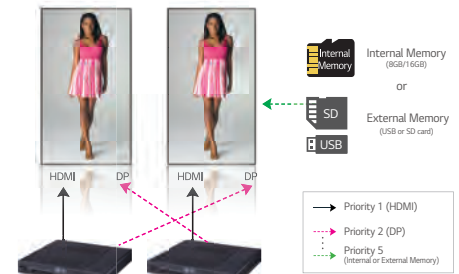
### SCREEN FAULT DETECTION

Detects screen failure and sends an alert log via email.



### ADVANCED FAILOVER

The enhanced failover function enables content in the internal memory to be displayed without dead spots when none of the external inputs are working. Monitor performs the signal switching automatically.



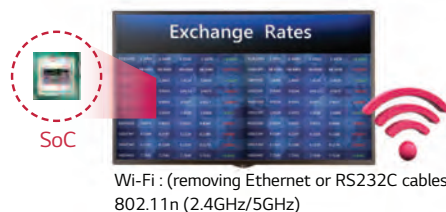
### SoftAp

The SM5B with SoftAp software can operate as a wireless access point for mobile devices.



### SIMPLE INSTALLATION

SuperSign embedded player with RJ45 interface allows easy content transfer and control via network without the need for an external media player.

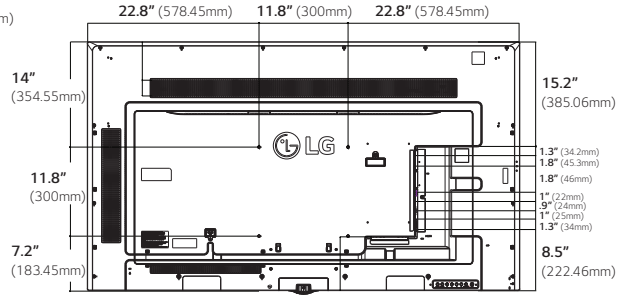
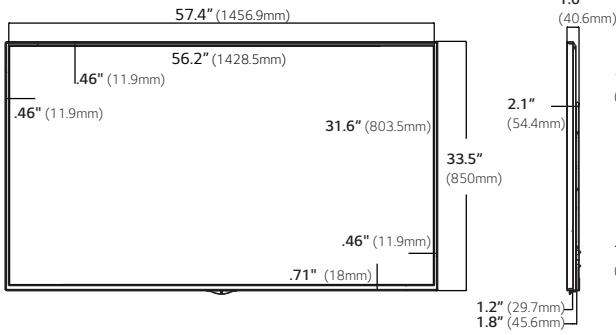


### MIRRORING

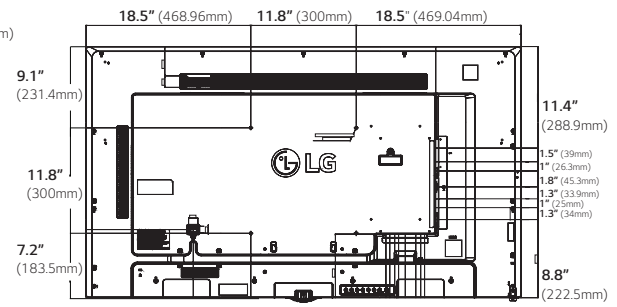
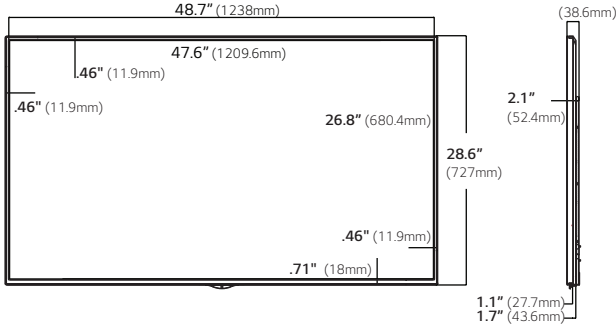
Content sharing is convenient through a Wi-Fi network.



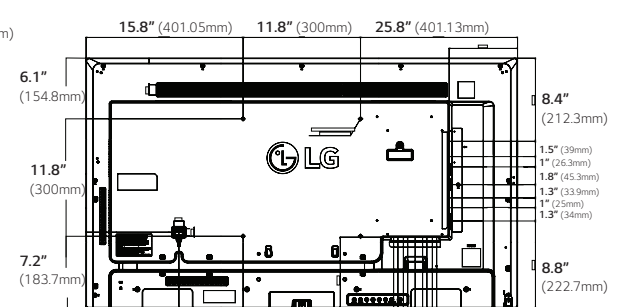
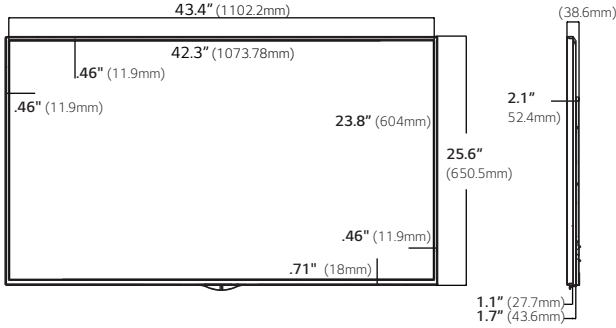
65SM5B



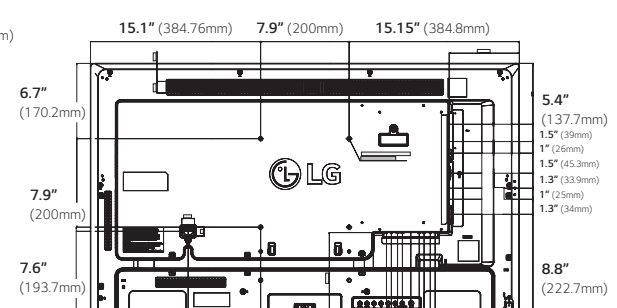
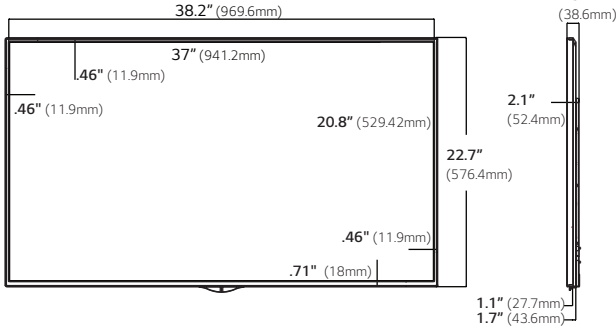
55SM5B



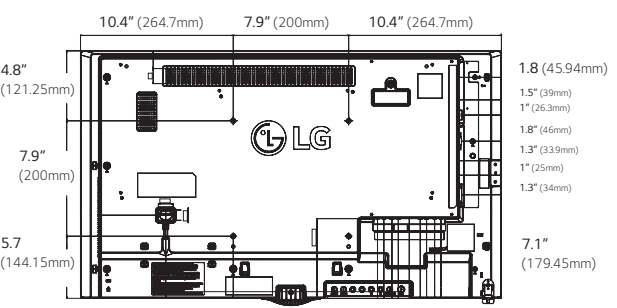
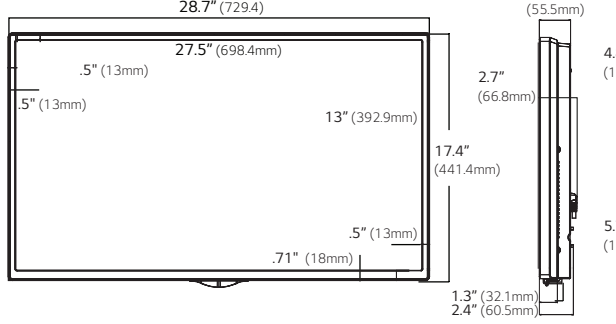
49SM5B



43SM5B

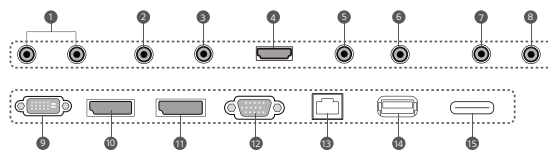


32SM5B

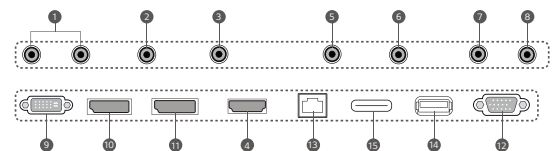


- ① SPEAKER OUT
- ② IR & LIGHT SENSOR
- ③ PIXEL SENSOR
- ④ HDMI
- ⑤ RS-232C IN
- ⑥ RS-232C OUT
- ⑦ AUDIO IN
- ⑧ AUDIO OUT
- ⑨ DVI-D IN
- ⑩ DP IN
- ⑪ DP OUT
- ⑫ RGB IN
- ⑬ LAN
- ⑭ USB 3.0
- ⑮ SD

55/49/43/32SM5B Rear Jack Pack



65SM5B Rear Jack Pack



# SM5B

## Enhanced Smart Platform

▶ **65SM5B**

65" class (64.5" / 1,638mm diagonal)

▶ **55SM5B**

55" class (54.6" / 1,387mm diagonal)

▶ **49SM5B**

49" class (48.5" / 1,232mm diagonal)

▶ **43SM5B**

43" class (42.5" / 1,079.5mm diagonal)

▶ **32SM5B**

32" class (31.5" / 800mm diagonal)

PANEL	Model	65SM5B	55SM5B	49SM5B	43SM5B	32SM5B
Screen Size		65" class (64.5"/1638.3mm diagonal)	55" class (54.6"/1386.8mm diagonal)	49" class (48.5"/1231.9mm diagonal)	43" class (42.5"/1079.5mm diagonal)	32" class (31.5"/800.1mm diagonal)
Panel Technology		IPS				
Aspect Ratio		16 : 9				
Native Resolution		1920 x 1080 (FHD)				
Pixels (HxVx3)		6,220,800				
Brightness		450cd/m <sup>2</sup>				
Contrast Ratio		1,300:1	1,100:1			
Dynamic CR		4,000,000:1				2,000,000:1
Color Gamut		68%				
Viewing Angle (H x V)		178° x 178°				
Color Depth		1.06 Billion	16.7 Million			
Response Time		12ms (G to G)				
Surface Treatment		Hard coating (3H), Anti-glare treatment of the front polarizer (Haze 1%(Typ.))				
Life Time (Typ.)		50,000 Hrs				
Recommended Use		24Hrs/7 days				
Orientation		Portrait & Landscape				
Digital HDMI		HDMI1.4b/HDCP2.2				
Digital DP		DP1.2a				
Digital DVI-D		HDCP2.2				
Analog RGB		Yes (1)				
Audio In		RGB/DVI				
RS232C IN		Yes (1)				
External Control		RJ45				
IR Cap Receiver		Yes (1)				
Pixel Sensor		Yes (1)				
USB3.0		Yes (1)				
SD Card (Full Size)		Yes (1)				
HDTV Formats		HDMI : 720p, 1080i, 1080p				
DP Out		SST/DP1.2a				
Audio Out		Yes				
External Speaker Out		Yes (L/R), 6 ohm				
External Control		RS232C				
Temperature Sensor		Yes				
Auto Brightness Cap Sensor		Yes				
Cooling FAN		No				
Tile Mode		Up to 15x15				
Natural Mode @Tile Mode		Yes				
Source Selection		RGB, HDMI, DVI-D, DP, OPS, USB, SD Card				
Brightness/Contrast/Backlight		Yes				
Position/Size		Yes				
Auto Config/Phase		Yes				
Language		English, French, German, Spanish, Italian, Korean, Chinese(Simplified), Chinese(Original), Portuguese(Brazil), Swedish, Finnish, Norwegian, Danish, Russian, Japanese, Portuguese(Europe), Dutch, Czech, Greek				
ISM Method		Normal, White Wash, Color Wash, User image, Scheduling				
Advanced		Dynamic Contrast, Dynamic Color, Color Gamut, Skin Color, Sky Color, Grass color, Gamma				
Time		Clock, On/Off Timer, Auto Off, Automatic Standby				
Input Label		PC/DTV				
Power on Status		Standby, Power, LST				
Key Operation		IR, Local				
DPM Select		Yes				
Energy Saving		Auto, Minimum, Medium, Maximum, Screen off				
Smart Energy Saving		Yes				
File Play with USB		Yes				
Internal Memory		8GB (System 4GB + Available 4GB)				
Wi-Fi		802.11n combo built-in				
USB Cloning		Logo image download, Sent to USB, Receive from USB				
Content Scheduling		USB, Internal memory, SD Card				
Calibration Mode		Yes				
Savings Time		Yes				
Sync Mode		Time sync, Content sync				
PM Mode		Yes				

SPECIAL FEATURES	Model	65SM5B	55SM5B	49SM5B	43SM5B	32SM5B
PM Mode						Yes
Firmware Update (LAN)						Yes
Local Time Auto Setting						Yes
Image Diagnosis						Yes
HDMI-CEC						Yes
Wake on LAN						Yes
Digital Audio Input						Yes
Power on Delay						0 - 255
Content Rotation						0, 90
OSD Portrait Mode						0, 90
Intelligent Auto						Yes
Password change						Yes
SetID Setup						Manual, Auto
Configuration Setup						USB auto Playback
Lock Mode						USB
Fail Over						USB, Sdcard, RGB, DVI, HDMI, Internal Memory
External Media Player Attachable						Yes (MP500/MP700)
SuperSign Server Setup						Signage name, Server IPA setting, Server IP Status
SuperSign-w Lite						Yes
SuperSign-c						Yes
Check Screen						Yes
OPS PC power Control						Sync On, Sync On/Off, Disable
ENVIRONMENT CONDITIONS	Operation Temperature					0 °C to 40 °C
	Operation Humidity					10 % to 80 %
POWER	Power Supply					100-240V~, 50/60Hz
	Power Type					Built-In Power
	Power Consumption Typ.	120W	100W	85W	75W	60W
	Smart Energy Saving	85W	70W	60W	55W	45W
	DPM					0.7W
	Power Off					0.5W
AUDIO	Balance					Yes
	Audio Power					20W (10W x 2) for External Speaker
	Speaker On/Off					Yes
	Clear Voice II					Yes
	Virtual Surround Plus					Yes
	Equalizer					Yes
	Sound Mode					Standard, News, Music, Cinema, Sports, Game
STANDARD (CERTIFICATION)	Safety					UL / cUL / CB / TUV / KC
	EMC					FCC Class "A" / CE / KCC
	ErP / Energy Star					Yes / Yes (Energy Star 6.0)
CABINET	Bezel Color					Black
	Bezel Width					13mm (T/R/L), 18mm (B)
	WxHxD	57.35"x33"x1.6" (1456.9mm x 839mm x 41.1mm)	48.7"x28.1"x1.5" (1238mm x 714.9mm x 38.6mm)	43.4"x25.1"x1.5" (1102.2mm x 638.5mm x 38.6mm)	38.2"x22.2"x1.5" (969.6mm x 563.9mm x 38.6mm)	28.7"x16.9"x2.2" (729.4mm x 428.9mm x 55.5mm)
	Weight	72.5lbs	45.4lbs	38.4lbs	27.1lbs	13.2lbs
	WxHxD (carton)	61.45"x37.4"x6.7" (1561mm x 951mm x 170mm)	52.4"x32"x5.9" (1330mm x 813mm x 151mm)	47.1"x29.9"x5.3" (1197mm x 760mm x 134mm)	41.4"x25.6"x4.8" (1052mm x 650mm x 123mm)	31.9"x20.1"x5.2" (810mm x 510mm x 132mm)
	Weight	74lbs	47.4lbs	37.7lbs	27.3lbs	14.3lbs
	VESA™ Compatible	11.8" (300mm x 300mm)				7.8" (200mm x 200mm)
ACCESSORIES	Basic					Remote Controller(include battery 2ea), Power Cord, QSG, RGB Cable, Regulation Book, Phone to RS232C Gender, Memory cover
	Optional					Speaker(SP-5000), Stand(ST-652T), Pixel sensor(KT-SP0), Media player, OPS Kit(KT-OPSA), HD Base T(EB-B100)
WARRANTY						3-Year Limited Warranty Parts/Labor/Backlight   Extended warranty options are also available
OTHER	UPC	7 19192 19666 7	7 19192 19665 0	7 19192 19664 3	7 19192 19663 6	7 19192 19662 9



LG Electronics U.S.A., Inc.  
HE B2B Division  
2000 Millbrook Drive  
Lincolnshire, IL 60069

Customer Service: 888.865.3026  
www.LGSolutions.com/support

Contact your LG Regional Sales Representative:  
Channel: 800.897.8871  
Hospitality: 800.228.1236  
E-mail: info@LGSolutions.com

LG\_SPEC\_SM5B Series\_051512\_g



All screen images are simulated. Dimensions and weights are approximate. Design, specifications, and features subject to change without notice.

© Copyright 2015 LG Electronics USA, Inc. All Rights Reserved. "LG Life's Good" is a registered trademark of LG Corp.

ENERGY STAR is a registered trademark of the U.S. Environmental Protection Agency. In Plane Switching is a trademark of LG Philips LCD Ltd. VESA is a trademark of Video Electronics Standards Association. HDMI, the HDMI logo and High-Definition Multimedia Interface are trademarks or registered trademarks of HDMI Licensing LLC.

All other product and brand names are trademarks or registered trademarks of their respective companies.

Printed in the USA. May 2015